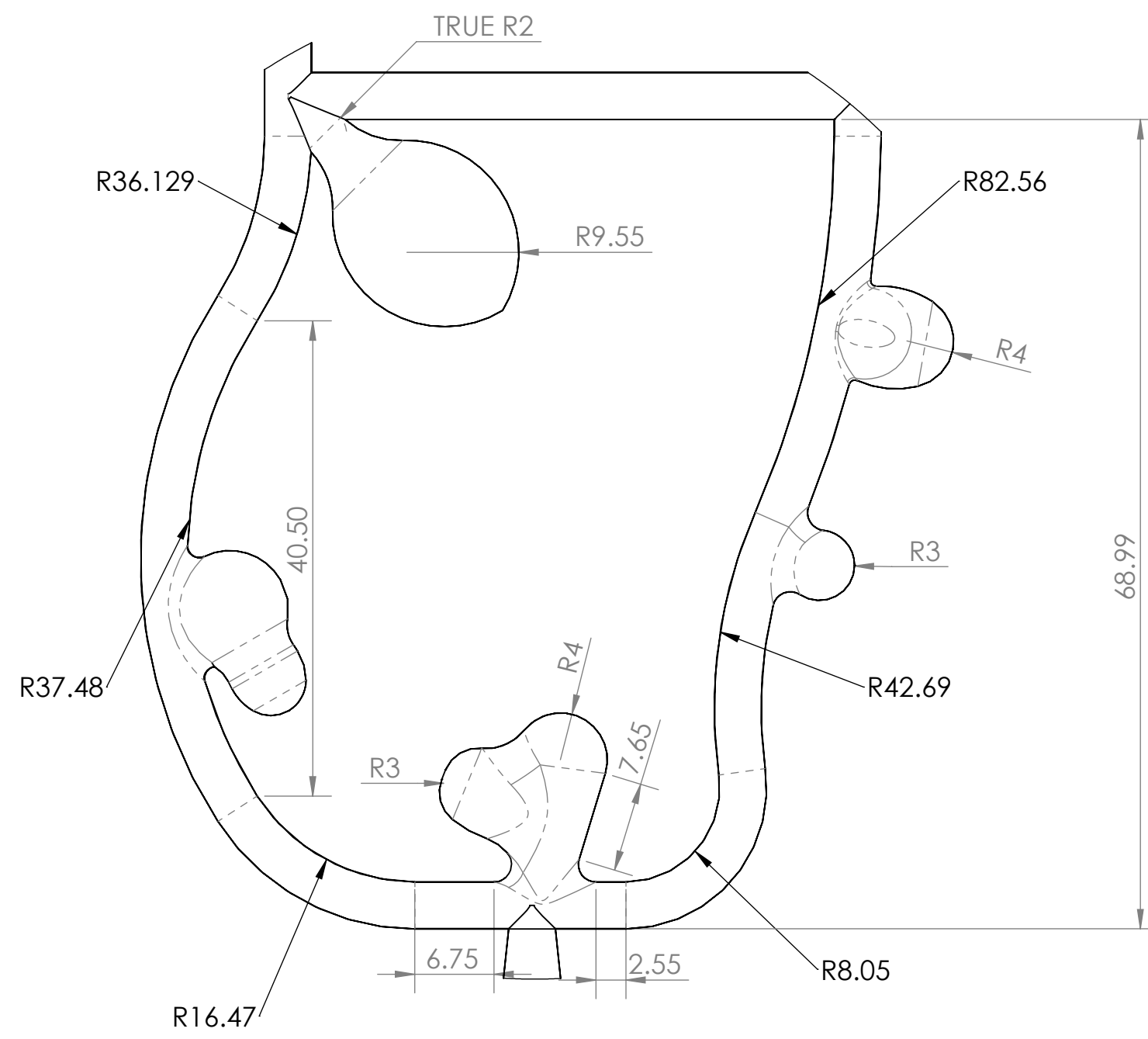


**DETAIL A**  
SCALE 2 : 1



**DETAIL B**  
SCALE 2 : 1

Aneurysm	Dimensions
1	Height: 10.3 mm Width: 10.0 mm Neck: 7.23 mm
2	Height: 10.7 mm Width: 10.7 mm Neck: 9.6 mm
3	Height: 8.2 mm Width: 8.0 mm Neck: 5 mm
4	Height: 8.1 mm Width: 8.6 mm Neck: 8.15 mm
5	Height: 6.0 mm Width: 6.0 mm Neck: 5.8 mm
6	Height: 14.5 mm Width: 14.5 mm Neck: 5.7 mm
7	Height: 9.3 mm Width: 15 mm Neck: 9.5 mm
8	Height: 21.0 mm Width: 15 mm Neck: 4.0 mm
9	Height: 9.3 mm Width: 15 mm Neck: 9.5 mm

UNLESS OTHERWISE SPECIFIED: DIMENSIONS ARE IN Millimeters TOLERANCES: .XX <sup>+</sup> 0.010 .XXX <sup>+</sup> 0.005 X.X <sup>+</sup> 0.05 X.XX <sup>+</sup> 0.25	COMMENTS: Entrance ID: 7.92 mm Vessel ID: 4 mm (Tapered Entrances)	DialAct Corporation TITLE: <b>VM103</b>
	MATERIAL: <b>Silicone</b>	SIZE: <b>C</b>
PROPRIETARY AND CONFIDENTIAL THE INFORMATION CONTAINED IN THIS DRAWING IS THE SOLE PROPERTY OF DIALACT CORPORATION. ANY REPRODUCTION IN PART OR AS A WHOLE WITHOUT THE WRITTEN PERMISSION OF DIALACT CORPORATION IS PROHIBITED.	DO NOT SCALE DRAWING	SCALE: 1:1 SHEET 1 OF 1

4

3

2

1

D

D

C

C

B

B

A

A

4

3

2

1